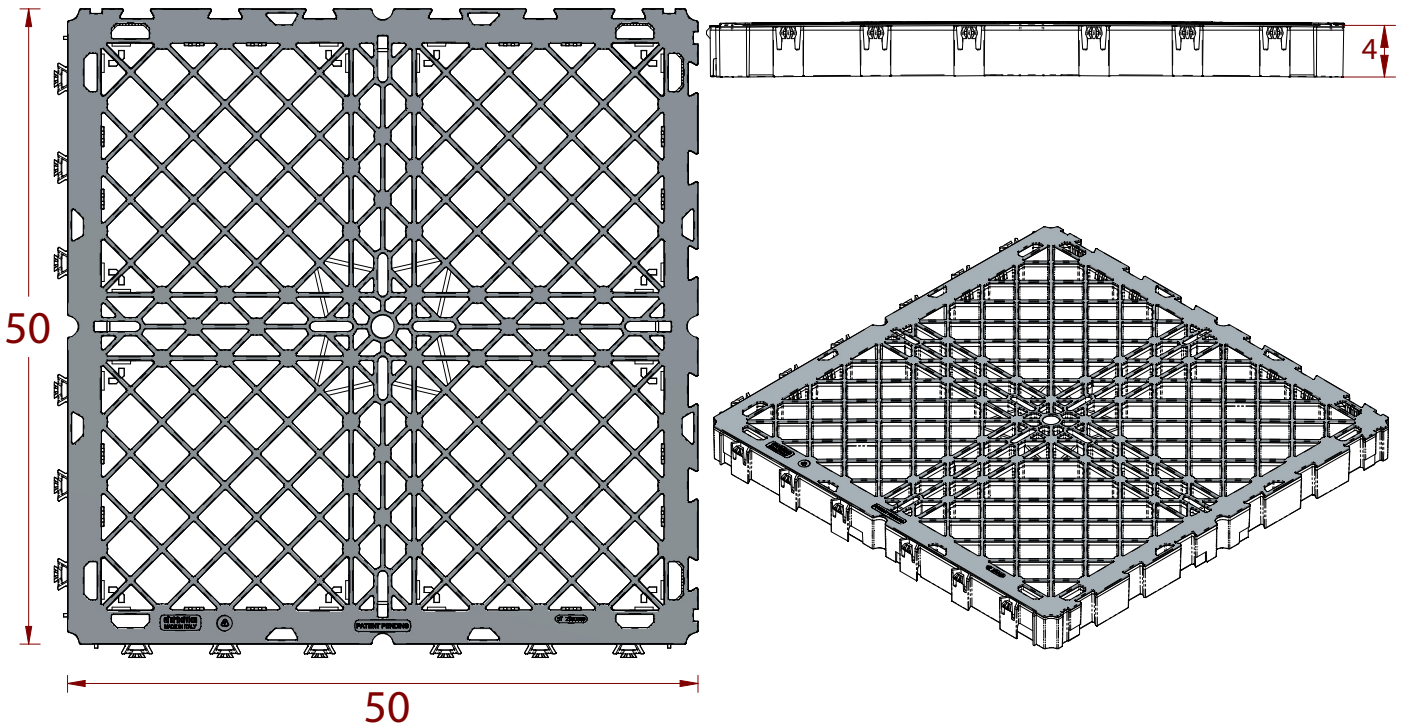




DATASHEET GRID PLUS



TECHNICAL SPECIFICATION

- The 'PLUS' safety grid consists of a panel measuring 50 x 50 cm and 4 cm high, made of black thermoplastic polymer with a grey thermoplastic rubber finish. The purpose of this panel is to create a subfloor on which various types of flooring can be laid directly, such as porcelain stoneware, marble, stone, synthetic grass, etc. The grids are placed side by side and connected to each other by means of dovetail joints along the entire perimeter, thus forming a continuous and sturdy surface. The system is completed by coupling height-adjustable supports (PRIME®, SR/SRT, SE, NM, SB), whose heads rest on the underside of the panels in the special slots provided in the corners, in the centre of the panel and along the side edges.

If you want a more robust substructure, we recommend adding a support in the centre of the grid and along the four side edges. The safety grid must be installed outdoors. When installing porcelain stoneware or other types of slabs, we recommend using the following accessories:

- Perimeter spacer in stainless steel or PP
- Mini 'DM' spacer
- DLG spacer

RAW MATERIAL:

Polypropylene and rubber (surface finish)

ENVIRONMENTAL IMPACT:

recyclable - non-hazardous waste

PROPERTIES AND GENERAL CHARACTERISTICS

	UNIT	VALUE	TOLERANCE
SIDE	cm	49.5	+/- 0.5
HEIGHT	cm	4	+/- 0.2
BEARING SURFACE	cmq	2500	+/- 2
WEIGHT	Kg	3.70	+/- 5%
SHORE	Shore d	70	+/- 3
LOW T(°C) REACTION	°C	-40	\



DATASHEET

GRID PLUS

eternoivica

INNOVATION LEADER

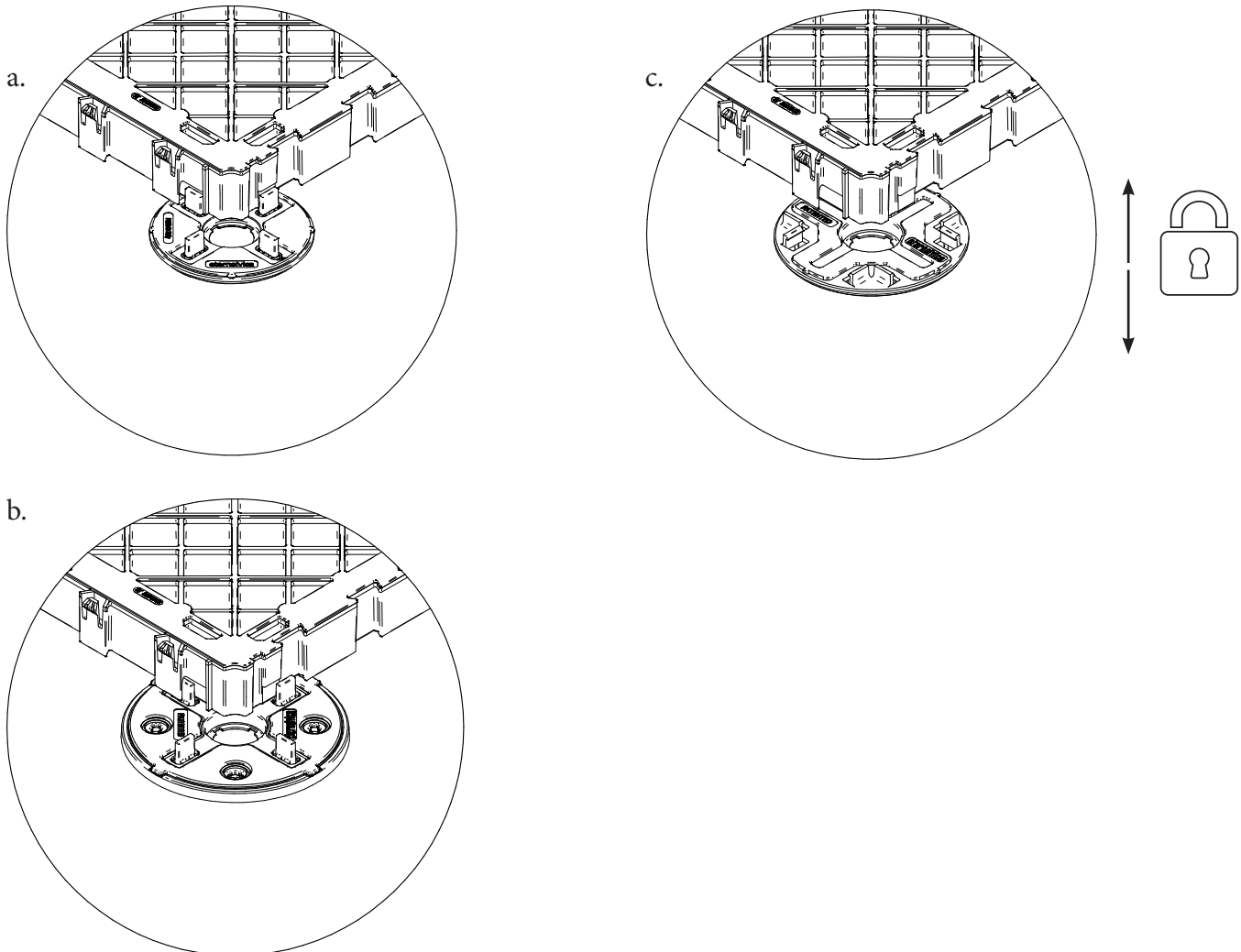


ITEMS CHARACTERISTICS & PROPERTIES

COD.	DESCRIPTION	MEASURE	PZ. PALLET
P021305060	GRID PLUS	50cm X 50cm X 4cm	112

INSTALLATION INSTRUCTIONS:

1. Position the supports on the installation surface and adjust to the desired height;
2. Place the grid panels on the supports in the special slots provided and join the panels together using the dovetail joints;
3. The grid is designed to be laid on:
 - a. Ø110 tilting/fixed heads, tabs version
 - b. Ø150 tilting/fixed heads, tabs version
 - c. Ø130 tilting/fixed heads, criss cross version
4. Check that the continuous surface obtained is perfectly flat, using the adjustment key if necessary;
5. Lay the flooring elements (porcelain stoneware, marble, stone, etc.), taking care to place the Mini 'DM' spacer or the DLG spacer under the corners, which serves to create the 'joint' and align the flooring elements. Along the perimeter edges, use the special stainless steel or PP perimeter spacer.

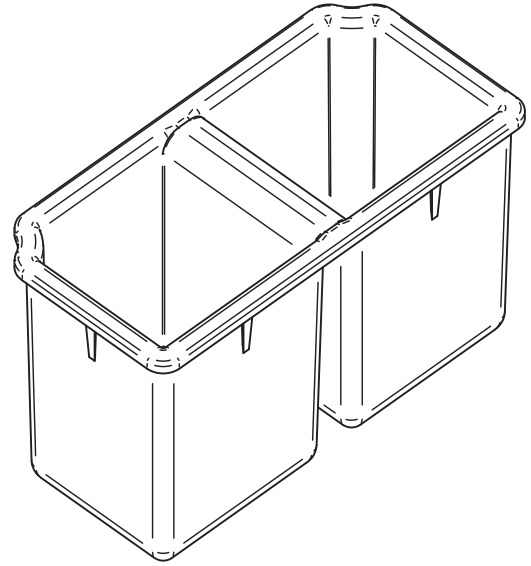
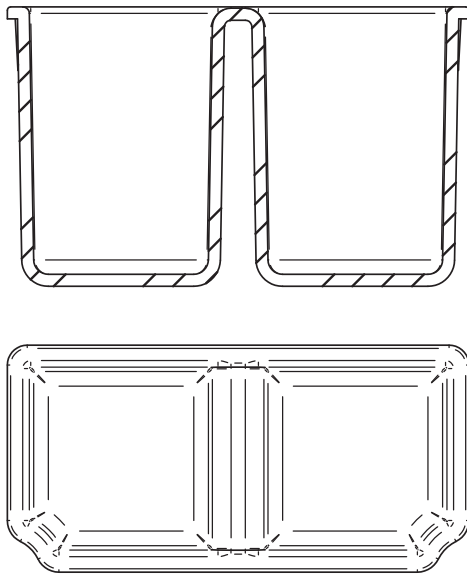




DATASHEET GRID PLUS



GREENLIFT WATER RETENTION TRAY



TECHNICAL SPECIFICATION

Supply and installation of Greenlift water retention tray.

The tray is an accessory designed to collect and retain rainwater or irrigation water, helping to keep the substrate moist in extensive green roofs made with Grid Plus.

Made of polypropylene, the tray fits easily into the holes in the Grid Plus, resting on top. Its total dimensions are 6.9 x 3.4 x 4.2 cm. Each tray consists of two basins, each with a capacity of 29 cm³.

The Greenlift retention tray is only compatible with Grid Plus.

RAW MATERIAL:

Polypropylene

ENVIRONMENTAL IMPACT:

recyclable - non-hazardous waste

FIELD OF USE

On Eternoivica Grid Plus

ITEMS CHARACTERISTICS & PROPERTIES

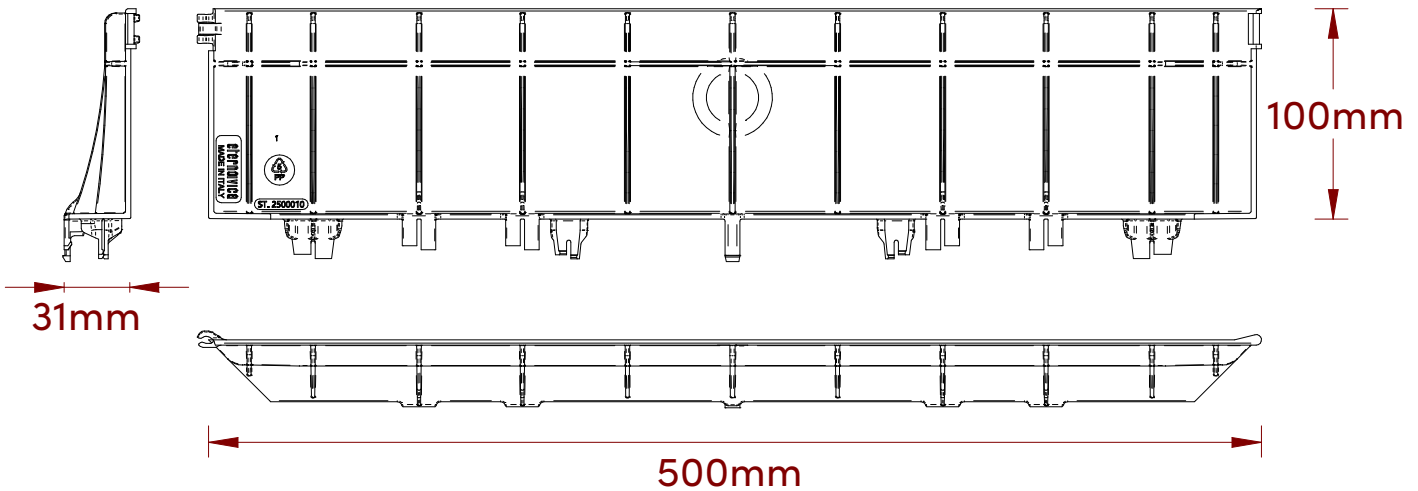
COD.	DESCRIPTION	MEASURE	PZ. PER BOX
P021307020	Greenlift water retention tray	69.4 x 34.1 x 42 mm	100



DATASHEET GRID PLUS



GREENLIFT QUICK-CONNECT BULKHEAD



TECHNICAL SPECIFICATION

Supply and installation of quick-connect bulkhead. The bulkhead is a component designed to be easily installed on the Grid Plus without the use of specific tools. Its function is to contain the substrate necessary for the construction of extensive green roofs. Made of polypropylene, the bulkhead is 50 cm wide and 10 cm high*. It can be connected to other bulkheads either in a straight line or at angles, offering flexibility in the configuration of the system. The Greenlift bulkhead is only compatible with the Grid Plus.

RAW MATERIAL

Polypropylene

ENVIRONMENTAL IMPACT:

recyclable - non-hazardous waste

FIELD OF USE

On Eternoivica Grid Plus

ITEMS CHARACTERISTICS & PROPERTIES

COD.	DESCRIPTION	MEASURE	PZ. PER BOX
P021307010	GREENLIFT QUICK-CONNECT BULKHEAD	L = 500mm - H = 100mm	50

The pallets are finally packaged by wrapping them in polyethylene film. We recommend storing them indoors, protected from precipitation.

The data shown refers to current production and may be changed and updated by Eterno Ivica at any time without prior notice. Given the numerous possibilities of use and the possible interference of elements beyond our control, we assume no responsibility for the results. The purchaser is responsible for determining the suitability of the product for the intended use. This document is the property of Eterno Ivica. All rights reserved.